



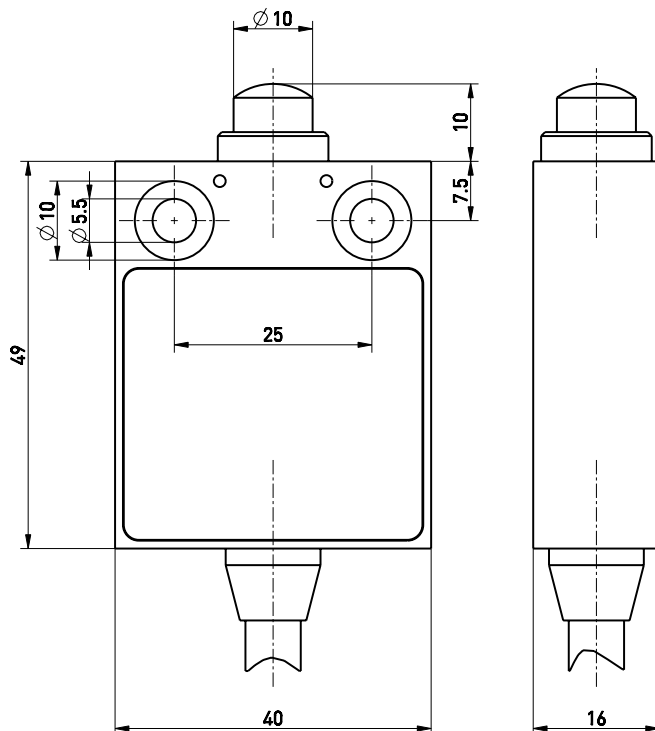
## Ex position switch // Ex 13

### Features/Options

- Ex zone 1 and 21
- Thermoplastic enclosure
- Double insulated
- Slow action  $\ominus$ , change-over contact with double break
- Slow action available with contact overlapping
- Suitable for in-line mounting

- With pre-wired cable
- Special cables available on request
- Gold-plated contacts available on request
- Special version only for dust Ex zone 22 available
- N.B.: Please state required approvals for Russia, China, Brazil and North America with your order!

### Dimensions



### Technical data

Standards	EN 60947-5-1; EN 1088; EN 60079-0, EN 60079-1, EN 60079-31
Enclosure	glass-fibre reinforced, shock-proof thermoplastic, self-extinguishing UL 94-V0
Degree of protection	IP 65 to IEC/EN 60529
Contact material	silver
Switching system	slow action, positive break NC contact $\ominus$
Switching elements	change-over contact with double break Zb, galvanically separated contact bridges
Connection	cable H05VV-F, 4 x 0.75 mm <sup>2</sup>
$U_{imp}$	4 kV
$U_i$	250 V
$I_{the}$	T6: 6 A; T5: 3 A
$I_e/U_e$	6 A/250 VAC; 0.25 A/230 VDC
Utilisation category	AC-15, DC-13
Max. fuse rating	6 A gG/gN-fuse
Ambient temperature	T6: -20 °C ... +65 °C; T5: -20 °C ... +95 °C
Mechanical life	> 1 million operations
Switching frequency	1800/h
Repeat accuracy	±0.1 mm
Contact gap	max. 2 x 4 mm
Ex marking	$\text{Ex}$ II 2G Ex d IIC T6/T5 Gb, $\text{Ex}$ II 2D Ex tb IIIC T80 °C/T95 °C Db IP65 IECEX Ex d IIC T6/T5 Gb, Ex tb IIIC T80 °C/T95 °C Db IP65
Approvals	PTB 03 ATEX 1068 X IECEX PTB 06.0053 X



Errors and omissions excepted.



## Ex position switch // Ex 13

### Ordering details

Plunger	Type	Order no.
* with safety function		13001302 13001909 13001910
		
Plunger with collar W	Type	Order no.
* with safety function		13002903 13002902 13002302
		
Plunger for top mounting F	Type	Order no.
* with safety function		13047302 13047902 on request
		
Ball plunger KU	Type	Order no.
* with safety function		13003922 13003906 13003905
		



## Ex position switch // Ex 13

### Ordering details

Ball plunger with collar WKU * with safety function	Type	Order no. 13004304 13004303 13004302
		
Ball plunger for front mounting FKU * with safety function	Type	Order no. 13049302 13049907 on request
		
Roller plunger R * with safety function	Type	Order no. 13009905 13009908 13009913
		
Roller plunger with collar WR * with safety function	Type	Order no. 13010901 13010904 13010906
		



## Ex position switch // Ex 13

### Ordering details

Roller plunger for front mounting FR

Type

Order no.

13051304

\* with safety function

13051305

on request



Roller lever with collar WH

Type

Order no.

13014902

\* with safety function

13014903

13014917



Long roller lever with collar WHL

Type

Order no.

13016902

\* with safety function

13016906

13016914





## Ex position switch // Ex 13

### Ordering details

Offset roller lever with collar WHK



Type

Ex 13 WHK 1Ö/1S - 2m  
Ex 13 WHK 1Ö/1S - 5m  
Ex 13 WHK 1Ö/1S - 10m

Order no.

13018303  
13018902  
13018907

Parallel roller lever with collar WPH

\* with safety function



Type

Order no.

13020304  
13020905  
13020906

Rocking lever D

\* with safety function



Type

Order no.

13021304  
13021913  
13021302



## Ex position switch // Ex 13

### Ordering details

Long rocking lever DL

Type

Order no.

\* with safety function

13023304

13023902

13023302



Adjustable rocking lever DS

Type

Order no.

Ex 13 DS 10/1S - 2m

13029905

Ex 13 DS 10/1S - 5m

13029901

Ex 13 DS 10/1S - 10m

13029904



Rod lever DD

Type

Order no.

Ex 13 DD 10/1S - 2m

13025303

Ex 13 DD 10/1S - 5m

13025304

Ex 13 DD 10/1S - 10m

on request





## Ex position switch // Ex 13

### Ordering details

#### Long spring rod TL



Type  
Ex 13 TL 1Ö/1S - 2m  
Ex 13 TL 1Ö/1S - 5m  
Ex 13 TL 1Ö/1S - 10m

Order no.  
13032305  
13032302  
on request

#### Spring rod with steel tip TF



Type  
Ex 13 TF 1Ö/1S - 2m  
Ex 13 TF 1Ö/1S - 5m  
Ex 13 TF 1Ö/1S - 10m

Order no.  
13034901  
13034903  
13034302

#### Spring rod with plastic tip TK



Type  
Ex 13 TK 1Ö/1S - 2m  
Ex 13 TK 1Ö/1S - 5m  
Ex 13 TK 1Ö/1S - 10m

Order no.  
13036303  
13036902  
13036905



## Ex position switch // Ex 13

### Options

Cable entry on side S



Mechanical latching V  
(locking by actuation, unlocking by pulling  
the unlocking button)

